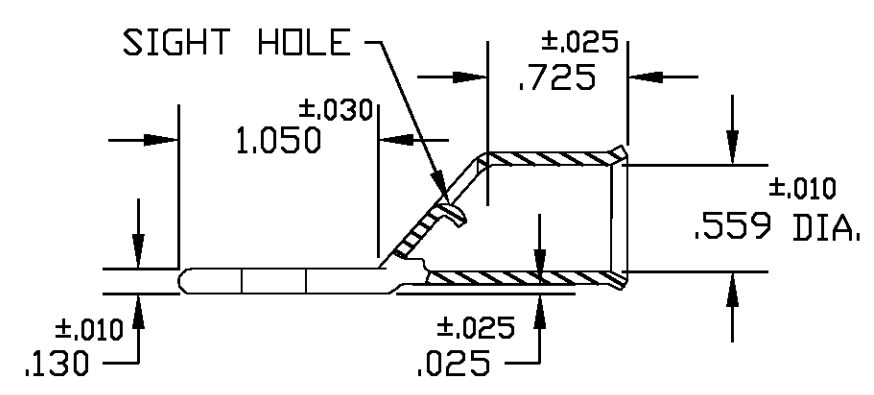
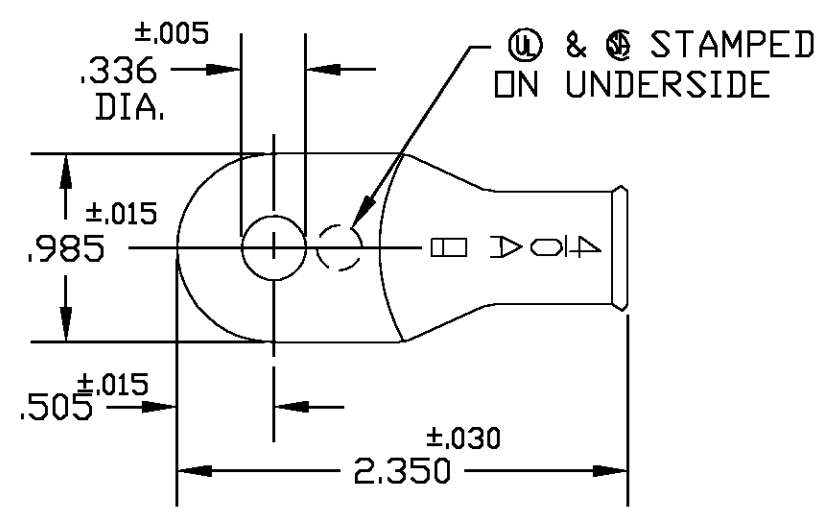


THIS DRAWING IS UNPUBLISHED. RELEASED FOR PUBLICATION
 © COPYRIGHT BY TYCO ELECTRONICS CORPORATION. ALL RIGHTS RESERVED.

LOC	DIST	REVISIONS					
		P	LTR	DESCRIPTION	DATE	DWN	APVD
G	50		C	REV PER 0G3H-0088-04	30MAR04	JR	MS



ACTIVE	40561-03	STANDARD	TIN PLATE	1526838-2
ACTIVE	40561-02	STANDARD	PLAIN	1526838-1
STATUS	AET P/N	PACKAGING	FINISH	PART NUMBER

THIS DRAWING IS A CONTROLLED DOCUMENT.		DWN D.A.A 11/2/00	Tyco Electronics Corporation Harrisburg, PA 17105-3608	
DIMENSIONS: INCHES		CHK H.D.F 11/2/00		
		APVD H.D.F 11/2/00	NAME 4/OA STANDARD TERMINAL W/SIGHT HOLE	
TOLERANCES UNLESS OTHERWISE SPECIFIED:		PRODUCT SPEC	SIZE	
0 PLC ± -	1 PLC ± -	APPLICATION SPEC	CAGE CODE	DRAWING NO
2 PLC ± -	3 PLC ± -	WEIGHT	00779	C-1526838
4 PLC ± -	ANGLES ± -	CUSTOMER DRAWING	RESTRICTED TO	
MATERIAL COPPER ASTM B-152	FINISH -	SCALE 1:1	SHEET 1 OF 1	REV C